



Z886-PVS

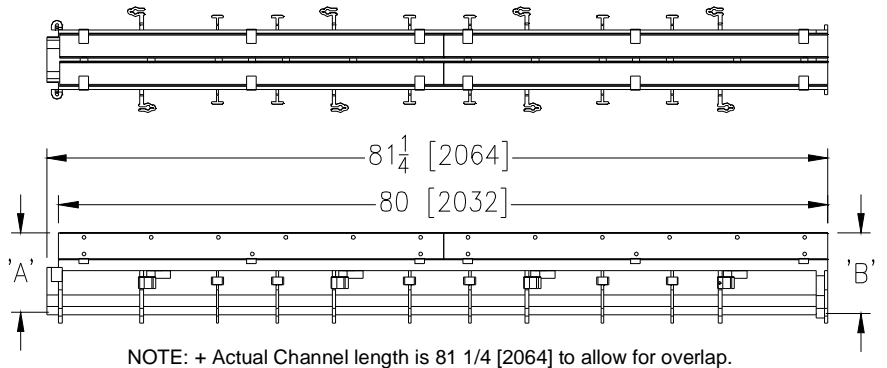
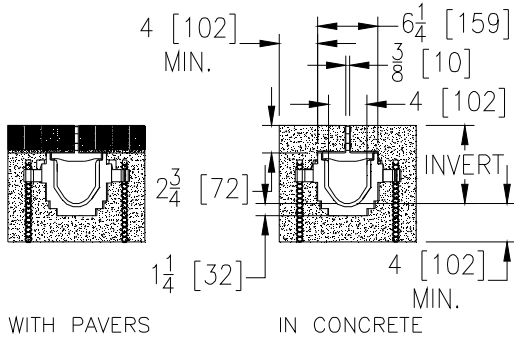
SPECIFICATION SHEET

0.375 [10] WIDE REVEAL TRENCH DRAIN SYSTEM WITH PAVER SLOT GRATE

TAG _____

Dimensional Data (inches and [mm]) are Subject to Manufacturing Tolerances and Change Without Notice

SPECIFYING ENGINEER IS RESPONSIBLE FOR CONCRETE ENCASEMENT AND REINFORCING BASED UPON APPLICATION AND LOCAL CODES



NOTE: + Actual Channel length is 81 1/4 [2064] to allow for overlap.

ENGINEERING SPECIFICATION: Zurn Z886-PVS Channels shall be 80 [2032] long, 0.375 [10] wide slot and have a 4 [102] throat. Modular channel sections shall be made of 0% water absorbent High Density Polyethylene (HDPE). Shall have a positive mechanical connection between channel sections that will not separate during the installation and shall mechanically lock into the concrete surround a minimum of every 10 [254]. Channels shall weigh less than 2.31 lbs.[1.05kg] per linear foot, have a smooth, 1.5 [38] radiused self cleaning bottom with a Manning's coefficient of 0.009 and 0.75% or neutral 0% built in slope. Channels shall have rebar clips standard to secure trench in its final location. Shall be provided with standard PVS non-removable grates. Zurn 0.375 [10] wide reveal and 2.75 [70] tall fabricated Steel Paver Slot grate with Ductile Iron reinforcing conforming to ASTM specification A536-84, Grade 80-55-06. is rated class B per the DIN EN1433 top load classifications. Supplied in 40 [1016] nominal lengths with 0.75 [19] bearing depth. Grate has an open area of 4.5 sq. in per ft. [9,525 sq. mm per meter].

PREFIX OPTIONS (Check/specify appropriate options)

___ Z Six-foot, Eight-inch High Density Polyethylene (HDPE)*

SUFFIX OPTIONS (Check/specify appropriate options)

Outlet Adapters Add/Each

- ___ -E1 Closed End Cap
- ___ -E2 2 [51] No-Hub End Outlet
- ___ -E3 3 [76] No-Hub End Outlet
- ___ -E4 4 [102] No-Hub End Outlet
- ___ -E6 6 [152] No-Hub End Outlet
- ___ -U2 2 [51] No-Hub Bottom Outlet
- ___ -U3 3 [76] No-Hub Bottom Outlet
- ___ -U4 4 [102] No-Hub Bottom Outlet
- ___ -U6 6 [152] No-Hub Bottom Outlet

Frame Options

- ___ -SW Sidewall Extensions - 9 [229] High
- ___ -SW2 Sidewall Extensions - 18 [457] High

Miscellaneous Options

- ___ -JC Joint Connector

Decorative Grate Options.

(Load Classifications are per DIN EN1433)

- ___ -PVSG Galvanized Paver Slot Grate - Class B
- ___ -PVSS Stainless Steel Paver Slot Grate - Class B

Trench No.	'A' Shallow Inv.	'B' Deep Inv.	Flow		
			(cfs)	(gpm)	(lps)
8601	6.25 [159]	6.85 [174]	0.21	93	6
8602	6.85 [174]	7.45 [189]	0.27	122	8
8603	7.45 [189]	8.05 [204]	0.34	152	10
8603N	8.05 [204]	8.05 [204]	-	-	-
8604	8.05 [204]	8.65 [220]	0.41	183	12
8605	8.65 [220]	9.25 [235]	0.48	214	13
8606	9.25 [235]	9.85 [250]	0.55	245	15
8606N	9.85 [250]	9.85 [250]	-	-	-
8607	9.85 [250]	10.45 [265]	0.62	276	17
8608	10.45 [265]	11.05 [281]	0.69	308	19
8609	11.05 [281]	11.65 [296]	0.76	339	21
8610	11.65 [296]	12.25 [311]	0.83	371	23
8611	12.25 [311]	12.85 [326]	0.90	403	25
8612	12.85 [326]	13.45 [342]	0.97	435	27
8612N	13.45 [342]	13.45 [342]	-	-	-
8613	13.45 [342]	14.05 [357]	1.04	467	29
8614	14.05 [357]	14.65 [372]	1.11	498	31
8615	14.65 [372]	15.25 [387]	1.18	530	33

Supplied By:



877-903-7246

www.trenchdrainsupply.com

REV. D DATE: 07/12/13 C.N. NO. 129638

PROD./DWG. NO. Z886-PVS

*REGULARLY FURNISHED UNLESS OTHERWISE SPECIFIED